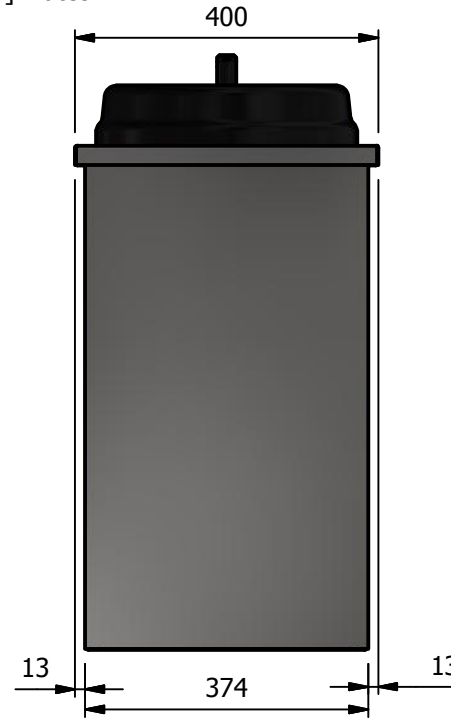
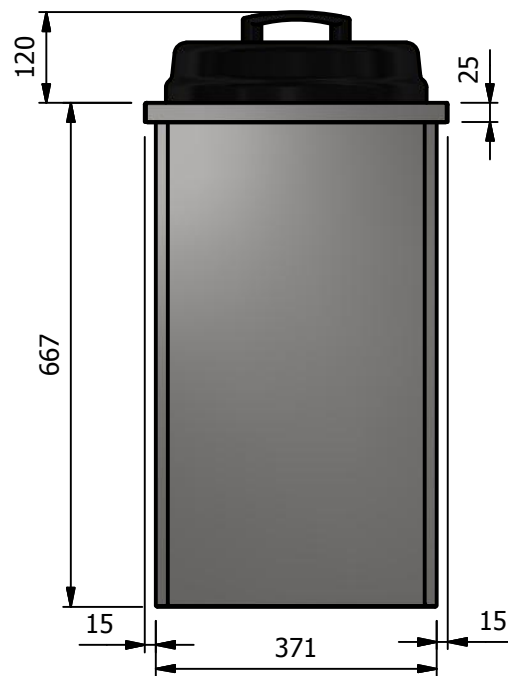
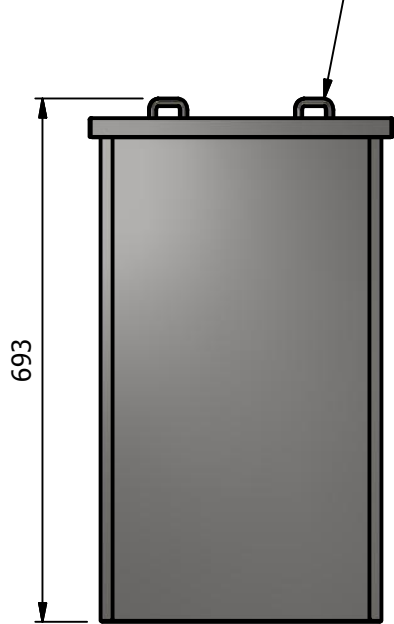


Adjustable Guide Rods to suit 8" - 12" [203mm - 305 mm] Plates



Specification

Dimensions

Width - 400mm
 Depth - 400mm
 Height - 788mm
 Weight - 15kg

Materials

0.7mm 430 Grade St/Steel Gantry Hood
 1.2mm 304 Grade St/ Steel Top & Supports
 1.2mm 430 Grade St Steel Ancillary Parts
 Plate Cover Black ABS plastic

Capacity


65 plates depending on type and thickness

Installation

Counter Top Flush Fit Cut Out Dimensions
 406mm x 406mm x 25mm
 Counter Support Cut Out Dimensions
 376mm x 376mm

ALL SHEET METAL DIMENSIONS ARE I/S (INSIDE SIZES) (UNLESS OTHERWISE STATED)

ALL DIMENSIONS IN (mm), TOLERANCE = LINEAR ± 0.5mm, ANGULAR ± 0.5mm (OR AS STATED). ALL SHARP EDGES TO BE REMOVED FROM SHEET METAL PARTS

| | | | | | | | | | |
|---|---------------|---------|-------------|------------|--|------------|-------|-------|----|
| Product | DROP-IN RANGE | | | Product No |  | | | | |
| Description | DUP1 | | | | | | | | |
| Material/Finish | Thickness | | Desp/Date | | <small>No reproduction or publication of this drawing may be made, and no article may be manufactured or assembled in accordance with this drawing without prior written consent. This prohibition is a term of any contract relating to this drawing. Rights reserved under the Copyright Act 1956 as amended by the Design Copyright Act 1968.</small> | | | | |
| Legacy P/N | Weight | 14.53Kg | Quote No. | | | | | | |
| Client | | | SO Number | N/A | Dwg No. | DIP-039303 | Issue | | |
| Client Project | | | Approved By | | Drawn By | nraymen | - | | |
| VERSIGEN AUSTRALIA PTY LTD, 182 HARTLEY ROAD, SMEATON GRANGE, NSW 2567, T: +61 (0)131 653 330, E: sales@versigen.com.au, Web: www.versigen.com.au | | | | Date | 08/04/2019 | | | | |
| | | | | | Scale | 1 : 10 | Sheet | 1 / 1 | A4 |