

Versigen Specification

Ambient Display
LED Illumination
with internal adjustable shelving
ticket strips and front tray and
rear sliding double glazed doors

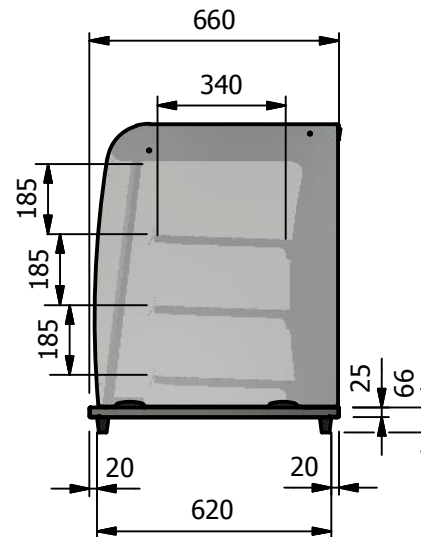
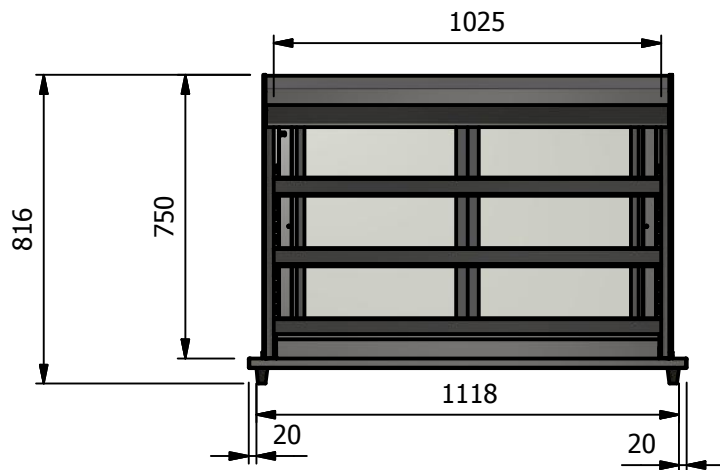
Capacity
0.20 m3

Dimensions
Width - 1158mm
Depth - 660mm
Height - 816mm
Weight - 82kg

Power Rating
0.15kw
complete with a 2m long cord set & 10amp plug


Materials
1.2mm 304 Grade St/ Steel Top & Supports
0.7mm 430 Grade St/ Steel Internal Structure
6mm Tempered Glass

Installation
Counter Top Flush Fit Cut Out Dimensions
1164mm x 666mm x 25mm
Counter Support Cut Out Dimensions
1140mm x 642mm



ALL SHEET METAL DIMENSIONS ARE I/S (INSIDE SIZES) (UNLESS OTHERWISE STATED)

ALL DIMENSIONS IN (mm), TOLERANCE = LINEAR ± 0.5mm, ANGULAR ± 0.5mm (OR AS STATED). ALL SHARP EDGES TO BE REMOVED FROM SHEET METAL PARTS

Product	GRAB & GO'S			Product No			 FOODSERVICE EQUIPMENT				
Description	D3GA										
Material/Finish	Thickness			Desp/Date							
Legacy P/N	Weight	82kg		Quote No.			Dwg No.	GGP-027509	Issue		
Client				SO Number	N/A		Drawn By	ABB	-		
Client Project				Approved By			Date	26/02/2019			
VERSIGEN AUSTRALIA PTY LTD, 182 HARTLEY ROAD, SMEATON GRANGE, NSW 2567, T: +61 (0)131 653 330, E: sales@versigen.com.au, Web: www.versigen.com.au							Scale	1:20	Sheet	1 / 2	A4

No reproduction or publication of this drawing may be made, and no article may be manufactured or assembled in accordance with this drawing without prior written consent. This prohibition is a term of any contract relating to this drawing. Rights reserved under the Copyright Act 1956 as amended by the Design Copyright Act 1968.