

**Warning**

Do not install unit in draughty conditions where the air movement is greater than 0.2mtr/sec.  
 e.g. near entrance/exit doors, open windows, under air conditioning units or a ceiling mounted fan  
 Ambient room conditions must not drop below 16°C .  
 Ticket strips must be in place on each shelf and the front tray must not be removed



**Versigen Specification**

Heated Display

Recirculated forced air system  
 LED Illumination  
 with internal adjustable shelving  
 ticket strips and front tray and  
 rear sliding double glazed doors

Capacity

0.14 m3

Dimensions

Width - 830mm  
 Depth - 660mm  
 Height - 822mm  
 Weight - 68kg

Power Rating

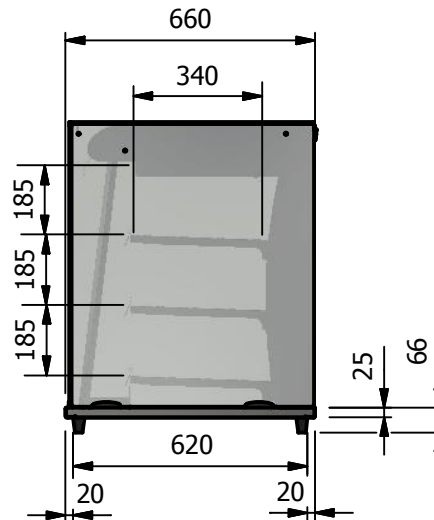
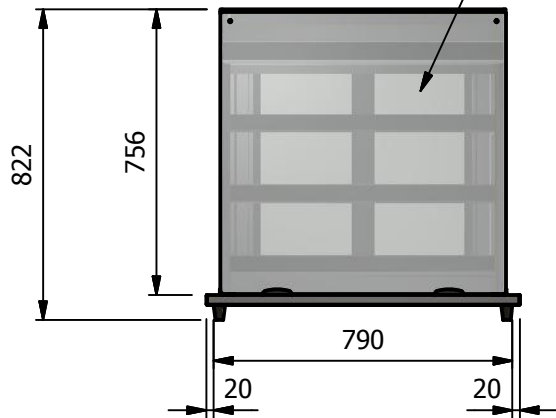
2.5kw  
 complete with a 2m long cord set & 15amp plug

Materials

1.2mm 304 Grade St/ Steel Top & Supports  
 0.7mm 430 Grade St/ Steel Internal Structure  
 6mm Tempered Glass

Installation

Counter Top Flush Fit Cut Out Dimensions  
 836mm x 666mm x 25mm  
 Counter Support Cut Out Dimensions  
 812mm x 642mm



ALL SHEET METAL DIMENSIONS ARE I/S (INSIDE SIZES) (UNLESS OTHERWISE STATED)

ALL DIMENSIONS IN (mm), TOLERANCE = LINEAR ± 0.5mm, ANGULAR ± 0.5mm (OR AS STATED). ALL SHARP EDGES TO BE REMOVED FROM SHEET METAL PARTS

Product	GRAB & GO'S			Product No							
Description	D2GHSLF										
Material/Finish	Thickness				Desp/Date						
Legacy P/N	Weight	68kg			Quote No.						
Client					SO Number	N/A		Drawn By	ABB		
Client Project					Approved By			Date	26/02/2019		
VERSIGEN AUSTRALIA PTY LTD, 182 HARTLEY ROAD, SMEATON GRANGE, NSW 2567, T: +61 (0)131 653 330, E: sales@versigen.com.au, Web: www.versigen.com.au							Scale	1:20	Sheet	1 / 2	A4

No reproduction or publication of this drawing may be made, and no article may be manufactured or assembled in accordance with this drawing without prior written consent. This prohibition is a term of any contract relating to this drawing. Rights reserved under the Copyright Act 1956 as amended by the Design Copyright Act 1968.

