

NOTE:- Serving height for children up to 12 years of age.
 This model is available with a work top height of 800mm
 and a Trayslide height of 773mm.
 Please add "B" to the end of the product code.

Specification

Neo-Ceram glass hot Top

The Stainless steel top inset with Neo Ceram glass panels provides a clean hot serving area.

Dry Heat

Fan Assisted Hotcupboard

Dimensions

Width - 1814mm
 Depth - 680mm
 Height - 900mm
 Weight - 137kg



Sahara Fan Model SF309

Area of hot top

1645mm x 537mm

Capacity of Hot Cupboard [usable inside space]

Width - 1679mm
 Depth - 555mm
 Usable Height Bottom shelf - 204mm
 Usable Height Top Shelf - 245mm

60 covers & meals

[10" plated meals stacked using plate covers]

or

228 off 10" plates stacked for heating

or

10 off 1/1GN pans side by side

150mm deep 5 on top 5 on bottom

Power Rating

1.80kw with no gantry, 2.68Kw with heated gantry.

complete with a 2m long cord set & 15 amp plug

Removable Fan heating System Sahara Fan Model SF309

Materials

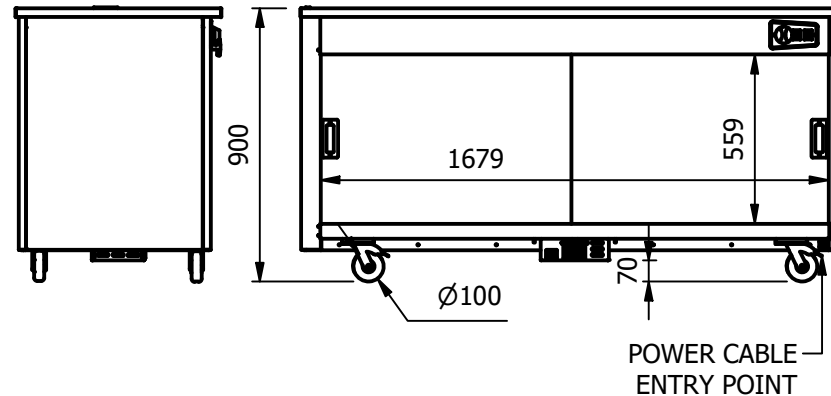
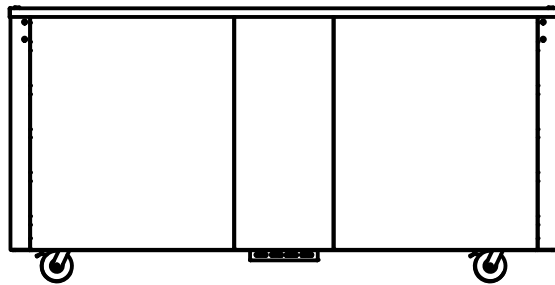
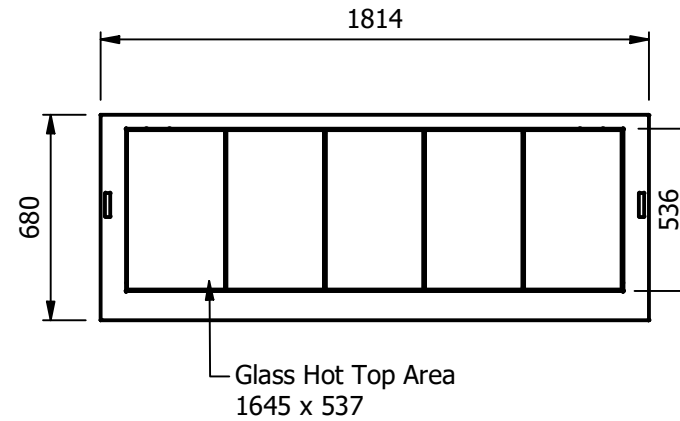
1.2mm 304 Grade St/ Steel Top & Supports

0.7mm 430 Grade St/ Steel Internal Structure

GN 1/1 Grid Shelves with 30mm x 30mm tube supports


Installation

All swivel castors, two braked



ALL SHEET METAL DIMENSIONS ARE I/S (INSIDE SIZES) (UNLESS OTHERWISE STATED)

ALL DIMENSIONS IN (mm), TOLERANCE = LINEAR ± 0.5mm, ANGULAR ± 0.5mm (OR AS STATED). ALL SHARP EDGES TO BE REMOVED FROM SHEET METAL PARTS

Product	VERSICARTE			Product No	N/A		
Description	*** VC5HT ***						
Material/Finish	Thickness		Desp/Date		 <p>No reproduction or publication of this drawing may be made, and no article may be manufactured or assembled in accordance with this drawing without prior written consent. This prohibition is a term of any contract relating to this drawing. Rights reserved under the Copyright Act 1956 as amended by the Design Copyright Act 1968.</p>		
Legacy P/N	Weight	137kg	Quote No.				
Client			SO Number	STANDARD	Dwg No.	VCP-072670	Issue
Client Project			Approved By		Drawn By	ABB	-
VERSIGEN AUSTRALIA PTY LTD, 182 HARTLEY ROAD, SMEATON GRANGE, NSW 2567, T: +61 (0)131 653 330, E: sales@versigen.com.au, Web: www.versigen.com.au					Date	28/10/2019	
					Scale	1 : 25	Sheet 1 / 1
							A4