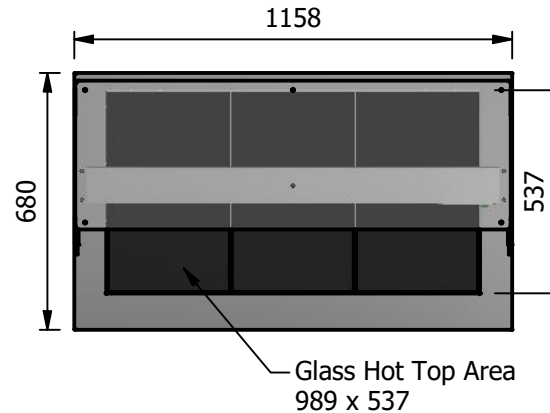


NOTE:- Serving height for children up to 12 years of age. This model is available with a work top height of 800mm and a Trayslide height of 773mm. Please add "B" to the end of the product code.



Specification

Neo-Ceram glass hot Top
The Stainless steel top inset with Neo Ceram glass panels provides a clean hot serving area.

Dry Heat
Fan Assisted Hotcupboard

Dimensions
Width - 1158mm
Depth - 680mm
Height - 900mm
Weight - 82kg



Sahara Fan Model SF315

Area of hot top
989mm x 537mm

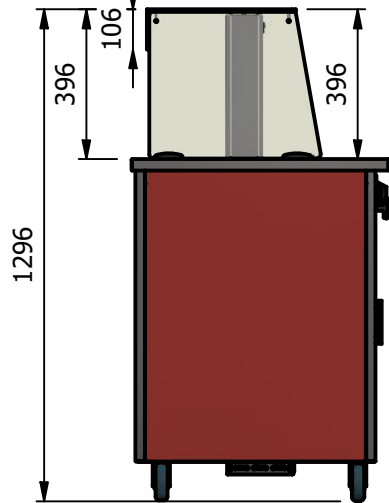
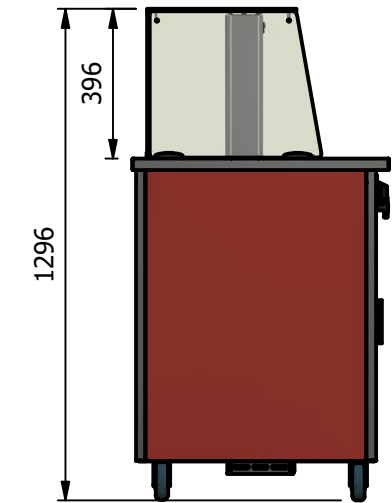
Capacity of Hot Cupboard [usable inside space]
Width - 1023mm
Depth - 555mm
Usable Height Bottom shelf - 204mm
Usable Height Top Shelf - 245mm

35 covers & meals [10" plated meals stacked using plate covers]
or
133 off 10" plates stacked for heating
or
6 off 1/1GN pans side by side 150mm deep 3 on top 3 on bottom

Power Rating
2.04kw with no gantry, 2.48Kw with heated gantry.
complete with a 2m long cord set & 15 amp plug
Removable Fan heating System Sahara Fan Model SF315

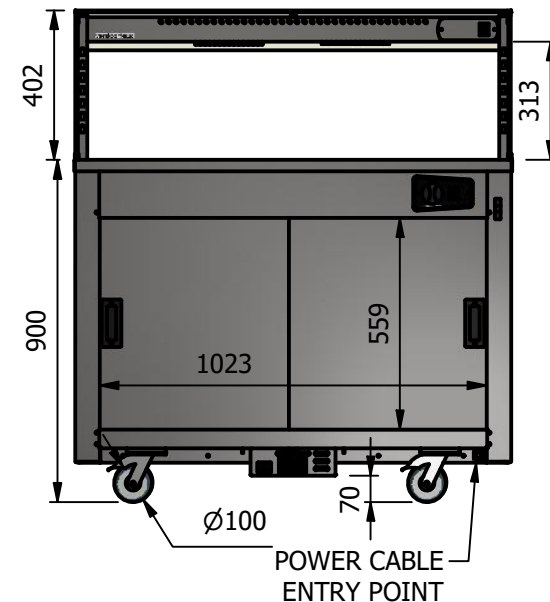
Materials
1.2mm 304 Grade St/ Steel Top & Supports
0.7mm 430 Grade St/ Steel Internal Structure
GN 1/1 Grid Shelves with 30mm x 30mm tube supports

Installation
All swivel castors, two braked



Square Glass Closed Front

Square Glass Open Front



ALL SHEET METAL DIMENSIONS ARE I/S (INSIDE SIZES) (UNLESS OTHERWISE STATED)

ALL DIMENSIONS IN (mm), TOLERANCE = LINEAR ± 0.5mm, ANGULAR ± 0.5mm (OR AS STATED). ALL SHARP EDGES TO BE REMOVED FROM SHEET METAL PARTS

Product	VERSICARTE		Product No	N/A					
Description	*** VC3HTSL **** Square Glass Options								
Material/Finish	Thickness		Desp/Date			<small>No reproduction or publication of this drawing may be made, and no article may be manufactured or assembled in accordance with this drawing without prior written consent. This prohibition is a term of any contract relating to this drawing. Rights reserved under the Copyright Act 1956 as amended by the Design Copyright Act 1968.</small>			
Legacy P/N	Weight	82kg	Quote No.						
Client			SO Number	STANDARD		Dwg No.	VCP-065977	Issue	
Client Project			Approved By			Drawn By	ABB		
VERSIGEN AUSTRALIA PTY LTD, 182 HARTLEY ROAD, SMEATON GRANGE, NSW 2567, T: +61 (0)131 653 330, E: sales@versigen.com.au, Web: www.versigen.com.au						Date	28/10/2019		
						Scale	1 : 20	Sheet	1 / 2
									A4