

# KOALA 370 AF



ATP



## Refrigerated container for the transport of chilled and frozen products at a controlled temperature

- Available in versions:
  - AF: temperature adjustment range: from **-18°C e +10°C**;
  - AFH: with heating kit and temperature adjustment range: from **-18°C e +40°C**.
- Insulation offered by container walls ensures that the temperature maintenance is guaranteed with a minimum number of ignitions of the cooling unit; this contributes limiting energy consumption.
- Available with static cooling unit, which ensures reduced electrical consumption, or ventilated, which ensures a greater speed of achievement and temperature uniformity inside the container.
- Cooling unit is triggered when external temperature is higher than the temperature set with the programmable digital thermostat. This allows to maintain a constant temperature even in case of very high external temperatures.
- In the AFH versions, the heating unit is triggered when external temperature is lower than the temperature set with the programmable digital thermostat. This allows to maintain a constant temperature even in case of very low external temperatures.
- Total compliance with the cold chain at all stages of transport.
- It can be transported using conventional vehicles: it allows to simultaneously transport chilled, frozen and ambient temperature products using a single non-insulated vehicle.
- Equipped with a low consumption fridge unit.
- It can be powered at 230Vac, using normal mains power.
- It can be powered at 12Vdc, depending on the model, directly or by inverter, it can be connected to the battery (or auxiliary battery) of the vehicle.
- Manufactured using the rotational moulding technology: mono-block container and door (free of sharp edges, joints and welds).
- **Fully recyclable** at the end of the operating life.




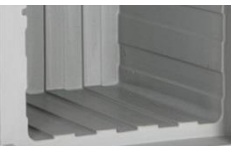
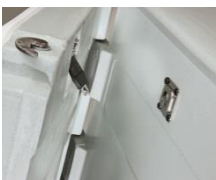






### MANUFACTURING MATERIALS

<b>Polyethylene</b>	inner and outer walls of the container and lid; suitable for food contact	<b>Polyurethane</b>	insulating material between the walls of the container and of the lid; free of CFC and HCFC
<b>Silicone</b>	gasket	<b>Rubber and polyamide</b>	castors (rubber tread and polyamide core)
<b>Galvanized steel</b>	cooling unit frame, hinge rods, plates connecting rods hinge, castors support	<b>Stainless steel</b>	handling handles, locking handle, inner rod of the door
<b>Polypropylene</b>	hinges		

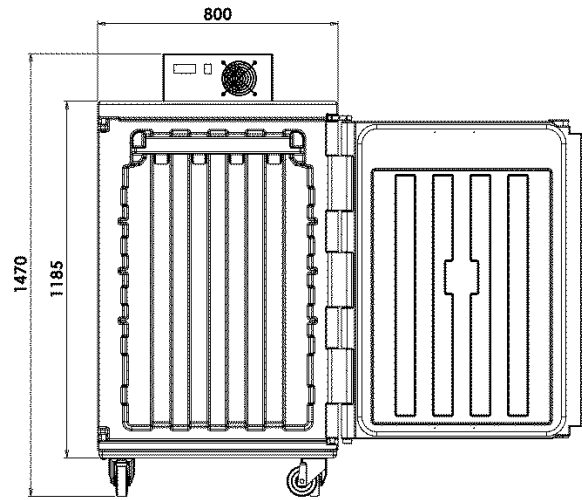
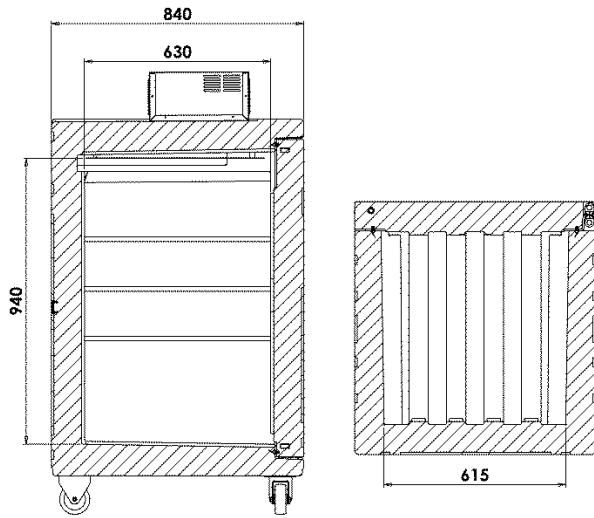
## TECHNICAL CHARACTERISTICS

<p><b>AF Version</b></p>	<ul style="list-style-type: none"> <li>• from 0°C to +10°C</li> <li>• from -18°C to +10°C</li> </ul>	<p><b>AFH Version</b></p>	<ul style="list-style-type: none"> <li>• from 0°C to +40°C</li> <li>• from -18°C to +40°C</li> </ul>
<p><b>+/- 0,5 °C</b></p>	<p>Degree of accuracy in temperature adjustment:</p> <ul style="list-style-type: none"> <li>• +/-0,5 °C.</li> </ul>		<p>Protection against voltage drops of the vehicle battery, in case of falling below of the limit value of:</p> <ul style="list-style-type: none"> <li>• <b>11V</b> with power supply 12 Vdc</li> <li>• <b>22V</b> with power supply 24 Vdc by means of inverters on versions -18°C +10/+40°C</li> </ul>
	<p>Equipped with two cables:</p> <ul style="list-style-type: none"> <li>• for power supply to <b>230Vac 50-60Hz.</b></li> </ul>		<p>Versions -18°C +10/+40°C</p> <ul style="list-style-type: none"> <li>• It can be powered at <b>12Vdc</b> with inverter AHD008;</li> <li>• It can be powered at <b>24Vdc</b> with inverter AHD011</li> </ul> <p>(inverter available on request)</p>
	<p>Static versions 0°C +10/+40°C equipped with cigarette lighter socket to power supply at <b>12Vdc</b></p>		<p>Versions ventilated 0°C +10/+40°C equipped with fork terminals to power supply at <b>12Vdc</b></p>
	<p>Cooling unit performance guaranteed for use at ambient temperature:</p> <ul style="list-style-type: none"> <li>• <b>from +10°C to +30°C.</b></li> </ul>		<p>Container (insulated case) guaranteed for use:</p> <ul style="list-style-type: none"> <li>• <b>from -30° to +100°C.</b></li> </ul>
<p><b>GAS</b></p>	<p>Coolant gas:</p> <ul style="list-style-type: none"> <li>• <b>R134a</b> (versions cooling unit on back and on top static 0°C +10/+40°C)</li> <li>(versions cooling unit on back and on top ventilated 0°C +10/+40°C)</li> <li>• <b>R452A</b> (version cooling unit on top ventilated -18°C +10/+40°C)</li> <li>(version cooling unit on back ventilated -18°C +10/+40°C)</li> </ul>		<p>Adjustment and control of the temperature with programmable digital thermostat.</p>
	<p>Static versions equipped with a "roll-bond" static evaporator.</p> <p>Lower energy consumption compared to the version with ventilated cooling unit.</p>		<p>In ventilated versions (available with cooling unit on back) the ventilation system ensures a greater speed of achievement and temperature uniformity inside the container.</p>
	<p>USB data logger available (on request) to record temperature data during transport.</p>		<p>Hermetic compressor with electronic control unit for adjustment and control equipped with overvoltage protections.</p>

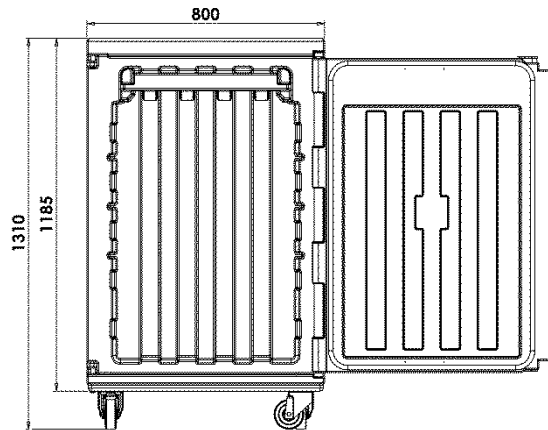
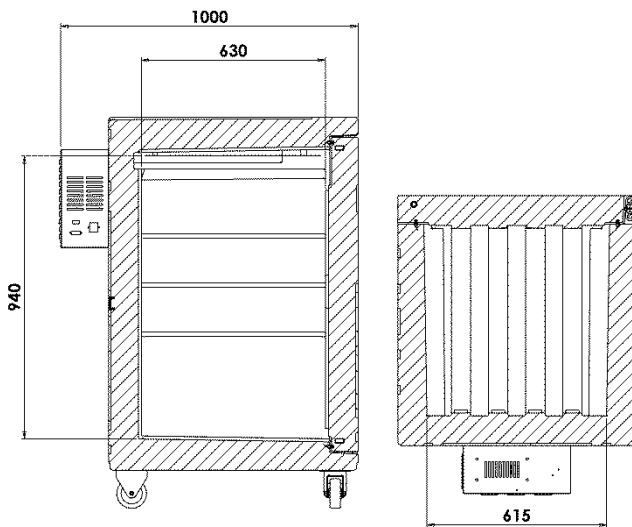
## TECHNICAL CHARACTERISTICS

	<p>3 seats for housing of grids positioned to 335/500/665mm from the bottom of the container. Grids available on request.</p>		<p>Label holder (on request) for the identification of the content or destination. Suitable for A5 format documents.</p>
	<p>Stainless steel locking handle with release button; it is prepared for the use of tamper-proof system.</p>	<p><b>K</b></p>	<p>Overall heat transmission coefficient:  <b>K=0,34 W/m²K</b> (versions 0°C +10/+40°C)  <b>K=0,32 W/m²K</b> versions -18°C +10/+40°C</p>
	<p>Internal grooves improving good air circulation.</p>		<p>Door opens up to 270° with door retaining catch.</p>
	<p>Easily removable door seal.</p>		<p>Stainless steel rod with 2 hooks integrated inside the door.</p>
	<p>4 rubber coated castors of 100 mm diameter (2 fixed and 2 swivel of which one equipped with brake). Support runners plate integrated in the container.</p>		<p>It can be inserted:  - Pallet with galvanized steel frame at 4 feet of 120 mm  - 4 feet in galvanized steel h 130mm.</p>
	<p>Mono-block structure, no sharp edges, joints and welds.</p>		<p>Insulated with CFC and HCFC-free polyurethane foam.</p>

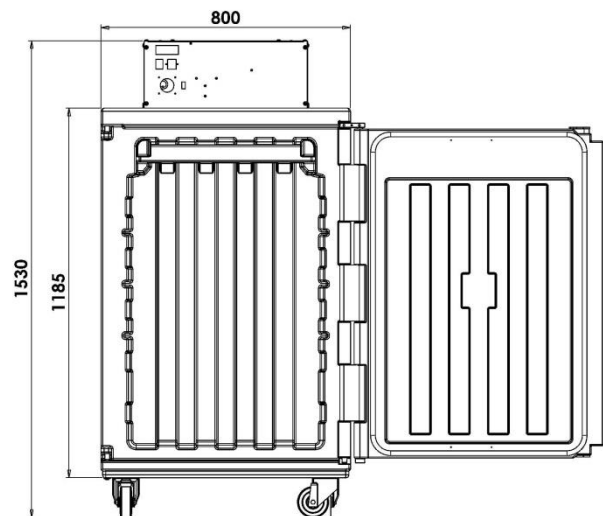
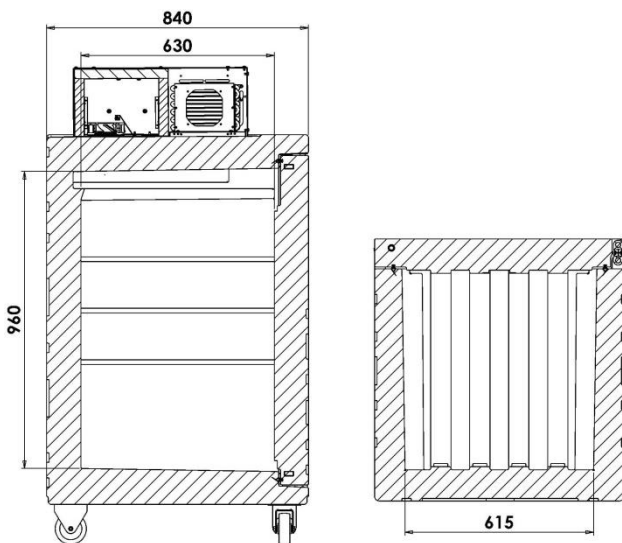
# TECHNICAL SPECIFICATIONS



**Model with cooling unit on top positive static  
code: 03709001, 03709009**

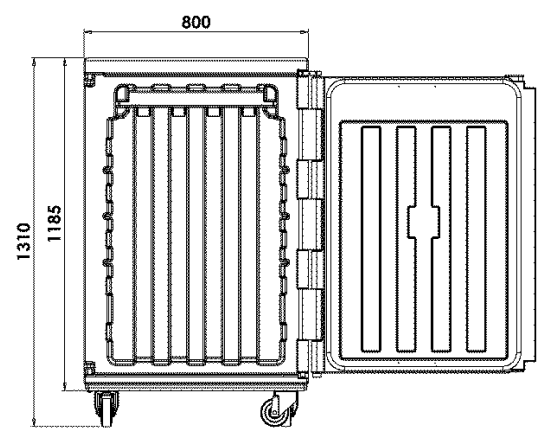
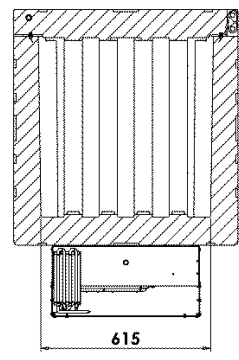
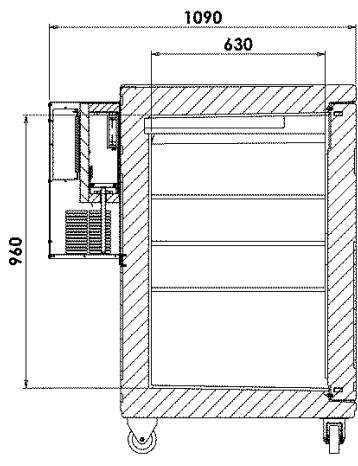


**Model with cooling unit on back positive static  
code: 03709028, 03709053**

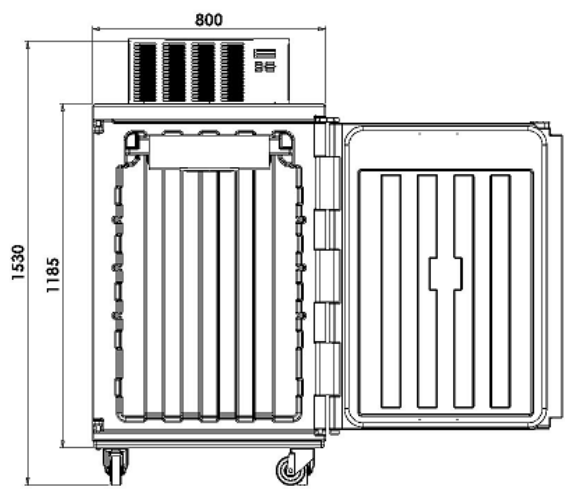
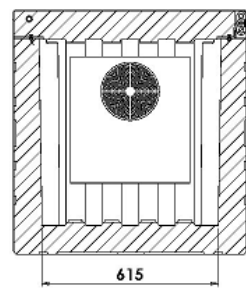
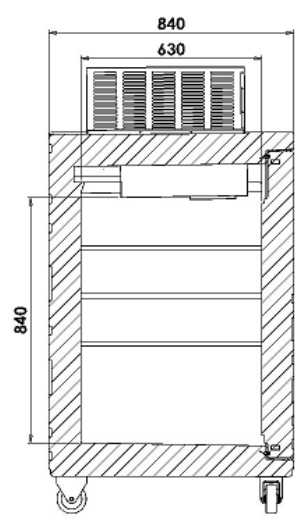


**Model with cooling unit on top ventilated  
code: 03709057, 03709058**

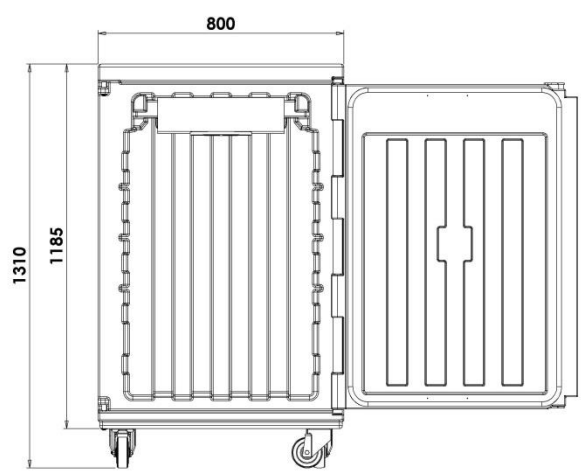
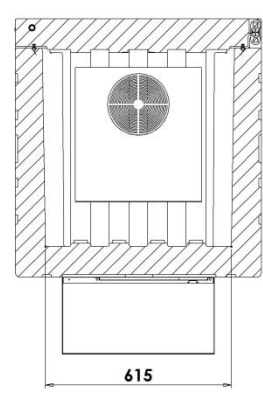
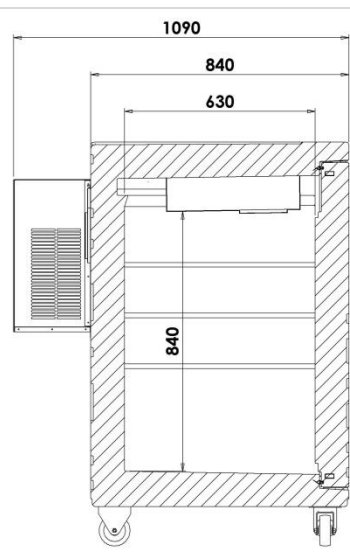
**TECHNICAL SPECIFICATIONS**



**Model with cooling unit on back positive ventilated  
code: 03709054, 03709055**



**Model with cooling unit on top negative ventilated  
code: 03709014, 03709059**



**Model with cooling unit on back negative ventilated  
code: 03709037, 03709056**

Model	Code	12V Power supply Fork terminal	12V Power supply Cigarette lighter socket	Nominal absorption	Fuses
<b>AF VERSION</b>					
Koala 370 AF <b>cooling unit on top static from 0°C to +10°C</b>	03709001		✓	<b>0,62A</b> to 230Vac <b>12A</b> to 12Vdc	<b>4A</b> for 230Vac <b>25A</b> for 12Vdc
Koala 370 AF <b>cooling unit on back static from 0°C a +10°C</b>	03709028		✓	<b>0,62A</b> to 230Vac <b>12A</b> to 12Vdc	<b>4A</b> for 230Vac <b>25A</b> for 12Vdc
Koala 370 AF <b>cooling unit on top ventilated from 0°C to +10°C</b>	03709057	✓		<b>0,62A</b> to 230Vac <b>12A</b> a 12Vdc	<b>4A</b> for 230Vac <b>25A</b> for 12Vdc
Koala 370 AF <b>cooling unit on back ventilated from 0°C to +10°C</b>	03709054	✓		<b>0,62A</b> to 230Vac <b>12A</b> to 12Vdc	<b>4A</b> for 230Vac <b>25A</b> for 12Vdc
Koala 370 AF <b>cooling unit on top ventilated from -18°C to +10°C</b>	03709014			<b>2A</b> to 230Vac	<b>4A</b> for 230Vac
Koala 370 AF <b>cooling unit on back ventilated from -18°C to +10°C</b>	03709037			<b>2A</b> to 230Vac	<b>4A</b> for 230Vac
<b>AFH VERSION (with heating kit)</b>					
Koala 370 AFH <b>cooling unit on top static from 0°C to +40°C</b>	03709009		✓	<b>0,62A</b> to 230Vac <b>12A</b> to 12Vdc	<b>4A</b> for 230Vac <b>25A</b> for 12Vdc
Koala 370 AFH <b>cooling unit on back static from 0°C to +40°C</b>	03709053		✓	<b>0,62A</b> to 230Vac <b>12A</b> to 12Vdc	<b>4A</b> for 230Vac <b>25A</b> for 12Vdc
Koala 370 AFH <b>cooling unit on top ventilated from 0°C to +40°C</b>	03709058	✓		<b>0,62A</b> to 230Vac <b>12A</b> to 12Vdc	<b>4A</b> for 230Vac <b>25A</b> for 12Vdc
Koala 370 AFH <b>cooling unit on back ventilated from 0°C to +40°C</b>	03709055	✓		<b>0,62A</b> to 230Vac <b>12A</b> to 12Vdc	<b>4A</b> for 230Vac <b>25A</b> for 12Vdc
Koala 370 AFH <b>cooling unit on top ventilated from -18°C to +40°C</b>	03709059			<b>2A</b> to 230Vac	<b>4A</b> for 230Vac
Koala 370 AFH <b>cooling unit on back ventilated from -18°C to +40°C</b>	03709056			<b>2A</b> to 230Vac	<b>4A</b> for 230Vac

Model	Code	Colour	External dim. (mm)	Internal dim. (mm)	Capacity l	Weight Kg
Koala 370 AF <b>cooling unit on top positive static</b>	03709001 03709009	melange grey blue	800x840xh1470	615x630xh940	370	83
Koala 370 AF <b>cooling unit on back positive static</b>	03709028 03709053	melange grey blue	800x1000xh1310	615x630xh940	370	85
Koala 370 AF <b>cooling unit on top positive ventilated</b>	03709057 03709058	melange grey blue	800x840xh1530	615x630xh960	370	95
Koala 370 AF <b>cooling unit on back positive ventilated</b>	03709054 03709055	melange grey blue	800x1090xh1310	615x630xh960	370	95
Koala 370 AF <b>cooling unit on top negative ventilated</b>	03709014 03709059	melange grey blue	800x840xh1530	615x630xh840	325	95
Koala 370 AF <b>cooling unit on back negative ventilated</b>	03709037 03709056	melange grey blue	800x1090xh1310	615x630xh840	325	95
<b>ACCESSORIES</b>						
Label holder	AMC101	trasparent	173xh200	148xh210 -A5-		
Grid	AEA018	stainless steel	650x610xh16			3,85
Inverter <b>12Vc.c./220Vc.c.</b>	AHD008					
Inverter <b>24Vc.c./220Vc.c.</b>	AHD011					

