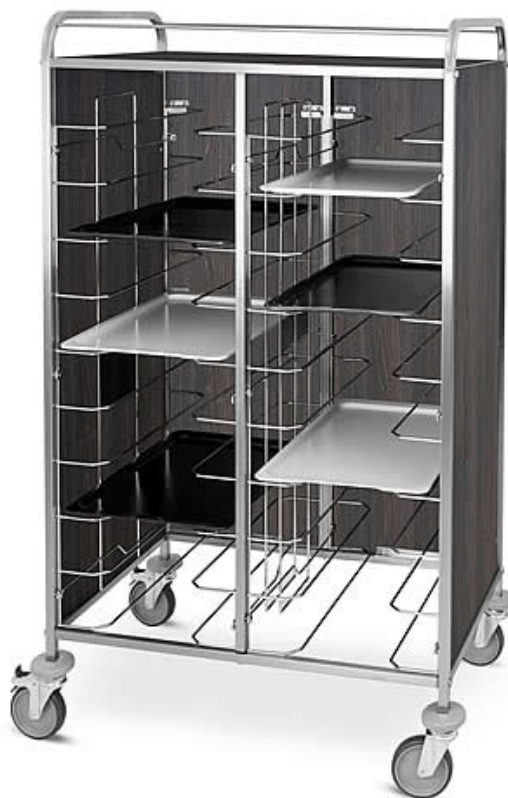


UNIVERSAL TRAY TROLLEYS

ASSEMBLY & OPERATING INSTRUCTIONS



Versigen

Foodservice Equipment

1/182 Hartley Road, Smeaton Grange NSW 2567
Tel. 1300 653 330

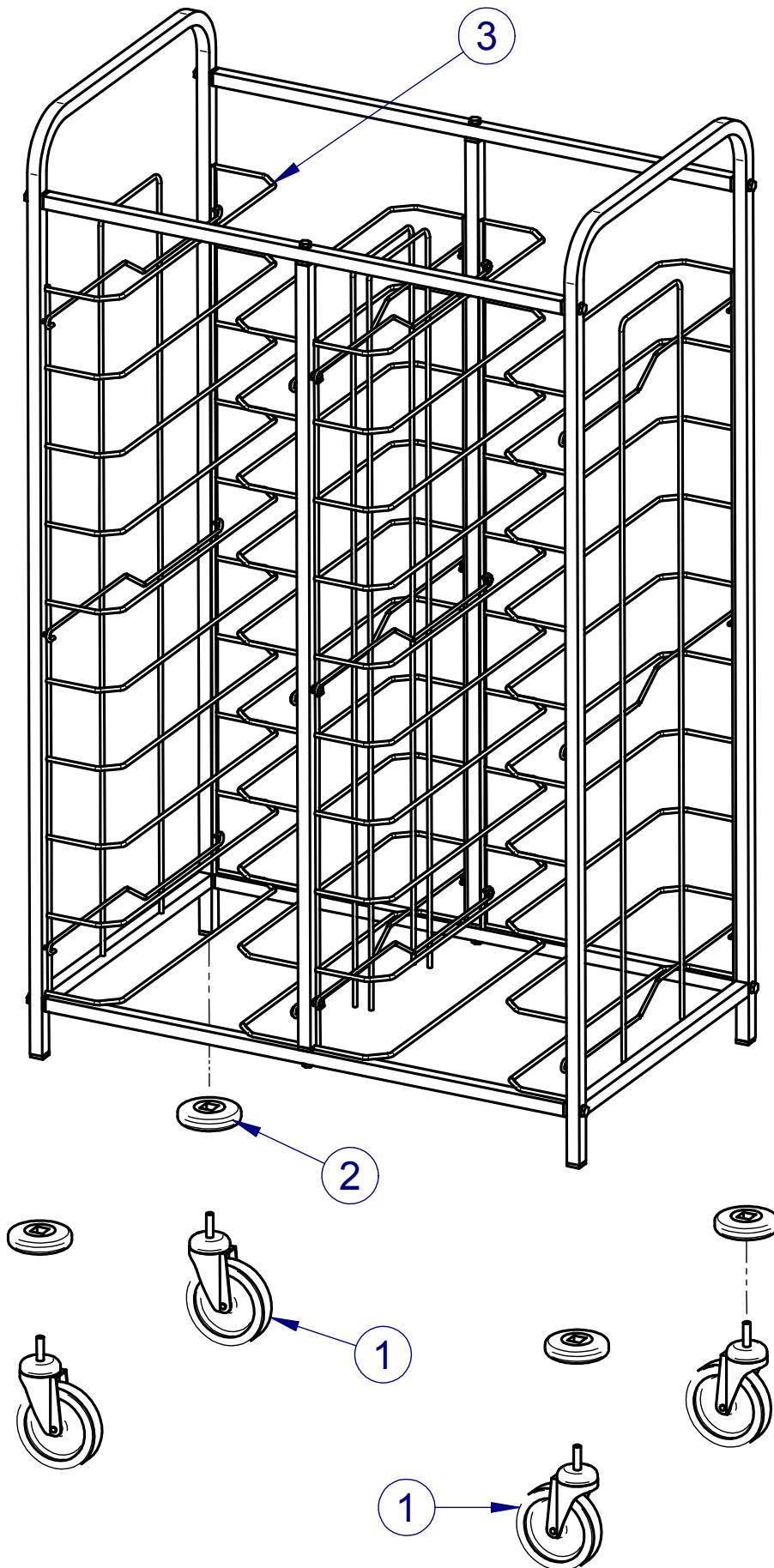
www.versigen.com.au - sales@versigen.com.au

Technical features

- Stainless steel 2x2cm square tube construction with bolted cross-members
- Chrome-plated steel wire supports
- Suitable for trays of max 53x39cm, even in different sizes and shapes
- Two or three side panels in AISI 304 stainless steel or melamine-faced
- Grey rubber ring buffers
- Swivel castors, \varnothing 12.5cm

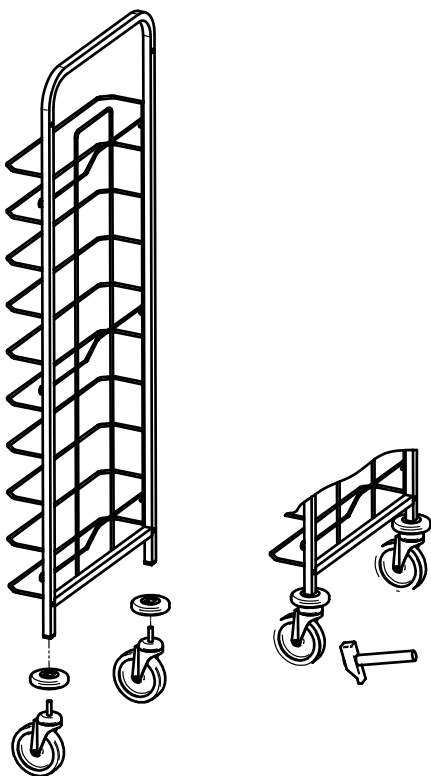
Technical data						
Open series	1470U	1475U	1480U	1472U	1477U	1482U
two panel in melamine	1470U-PN	1475U-PN	1480U-PN	1472U-PN	1477U-PN	1482U-PN
three panel in melamine	1471SU	1476SU	1481SU	1474SU	1478SU	1483SU
two panels in stainless steel	1470U-PI	1475U-PI	1480U-PI	1472U-PI	1477U-PI	1482U-PI
three panels in stainless steel	1471U	1476U	1481U	1474U	1478U	1483U
Guides numbers	10	20	30	12	24	36
Tray size cm	11					
Range of guides cm	53x39 max.					
Width cm	52	95	138	52	95	138
Depth cm	60	60	60	60	60	60
Height cm	159	159	159	183	183	183
Optional:	S1200 - Set with 2 braked castors					
	SE200 - Set with 4 resilient castors (2 with brake)					
Accessori:	A050U - Removable stainless steel universal container					

Spare Parts					
Pos.	Code	Description	1470-1475-1480 1471-1476-1481	1472-1477-1482 1474-1478-1483	
1	005151250001	castor \varnothing 125 mm	X	X	
1	005151250002	castor \varnothing 125 mm with brake	X	X	
1	005201250023	resilient castor \varnothing 125 mm	X	X	
1	005201250022	resilient castor \varnothing 125 mm with brake	X	X	
2	233004680003	Rubber bumpers	X	X	
3	233005280002	Chrome-plated steel wire supports for 10 places	X		
3	233005280001	Chrome-plated steel wire supports for 12 places		X	

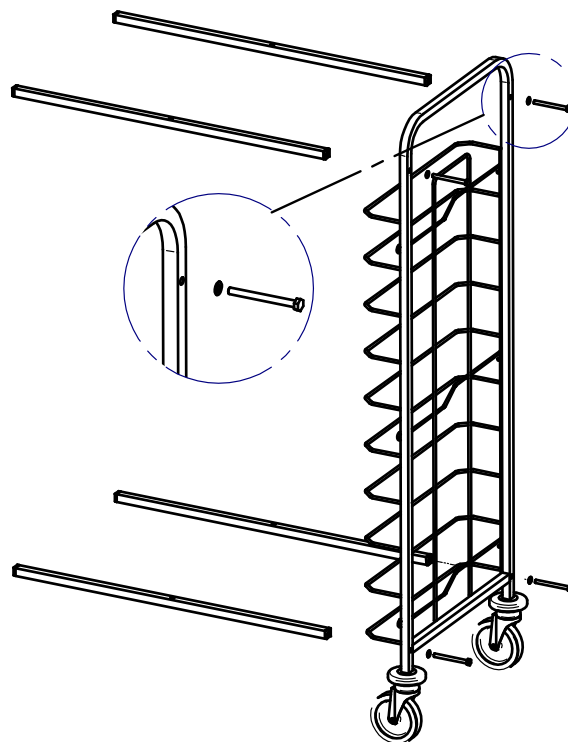


Mounting Scheme

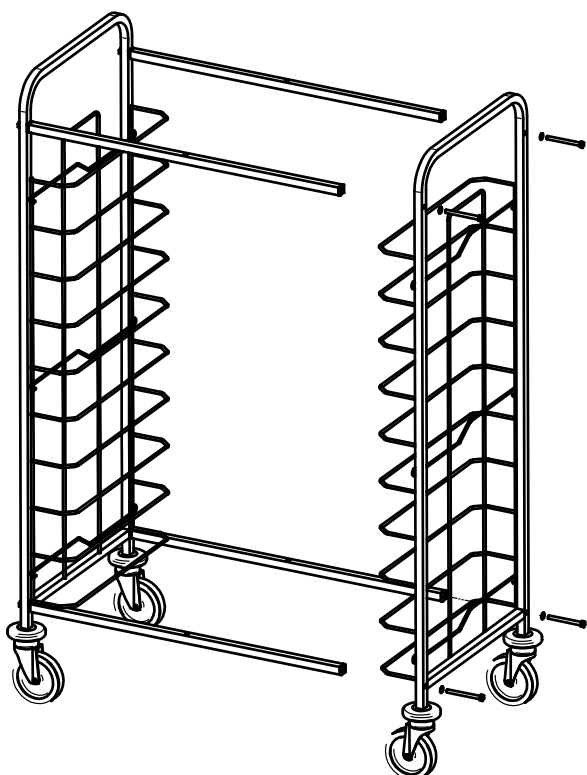
1



2



3



4

