

Versigen Specification

Dimensions

Width - 1486mm
 Depth - 660mm
 Height - 480mm
 Weight - 57kg

Power Rating

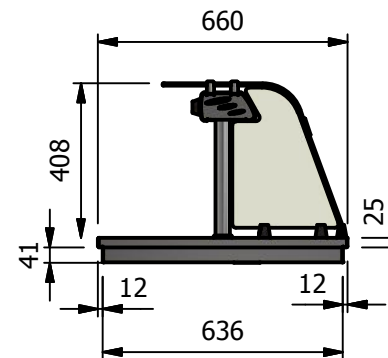
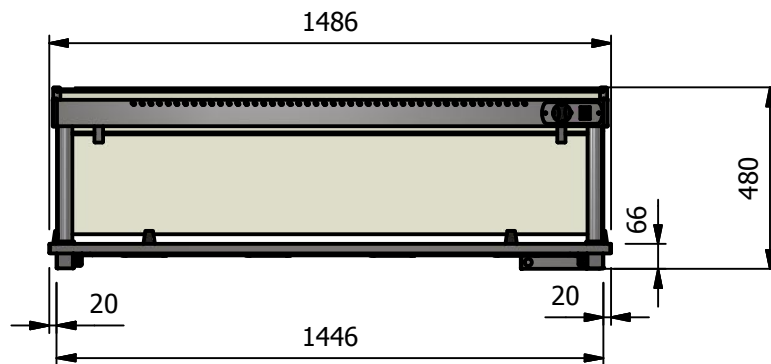
1.680 kw
 complete with a 2m long cord set & 10amp plug

Materials

0.7mm 430 Grade St/Steel Gantry Hood
 1.2mm 304 Grade St/ Steel Top & Supports
 1.2mm 430 Grade St Steel Ancillary Parts
 1.2mm Galvanised Steel Inner Supports
 6mm Tempered Glass
 Neo-Ceram Hot Plates
 Quartz Lamps

Installation

Counter Top Flush Fit Cut Out Dimensions
 1492mm x 666mm x 25mm
 Counter Support Cut Out Dimensions
 1468mm x 642mm



ALL SHEET METAL DIMENSIONS ARE I/S (INSIDE SIZES) (UNLESS OTHERWISE STATED)

ALL DIMENSIONS IN (mm), TOLERANCE = LINEAR ± 0.5mm, ANGULAR ± 0.5mm (OR AS STATED). ALL SHARP EDGES TO BE REMOVED FROM SHEET METAL PARTS

Product	DROP-IN RANGE			Product No			
Description	D4HTF			<small>© No reproduction or publication of this drawing may be made, and no article may be manufactured or assembled in accordance with this drawing without prior written consent. This prohibition is a term of any contract relating to this drawing. Rights reserved under the Copyright Act 1956 as amended by the Design Copyright Act 1968.</small>			
Material/Finish	Thickness		Desp/Date				
Legacy P/N	Weight	57kg	Quote No.				
Client			SO Number	N/A	Dwg No.	DIP-020632	Issue
Client Project			Approved By		Drawn By	ABB	-
VERSIGEN AUSTRALIA PTY LTD, 182 HARTLEY ROAD, SMEATON GRANGE, NSW 2567, T: +61 (0)131 653 330, E: sales@versigen.com.au, Web: www.versigen.com.au				Date	15/01/2019		
				Scale	1:20	Sheet	1 / 2
							A4