

Important Design Parameters

On the operators side of the Servery Counter a removable service panel is required to allow access to service heating elements etc. The dimensions of the access aperture must be no less than 1325mm x 145mm.

Additionally access is required to manually operate the drain valve. Drain connection is via 15mm lever ball valve.

Warning

The unit must be manually filled with water. Capacity 27 litre. A depth of 40mm must be maintained during operation. [water level marker fitted to element cover]

Versigen Specification

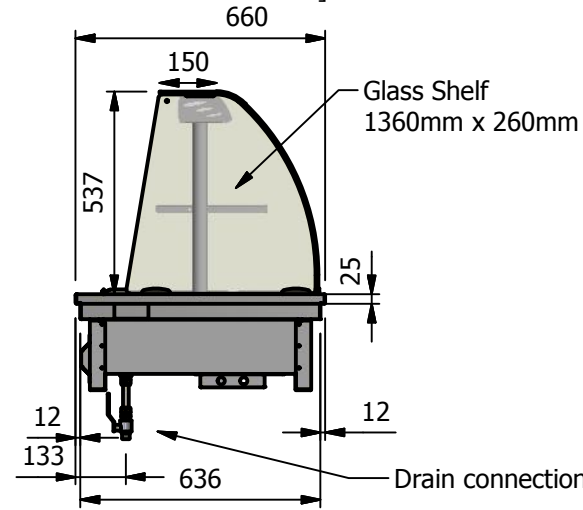
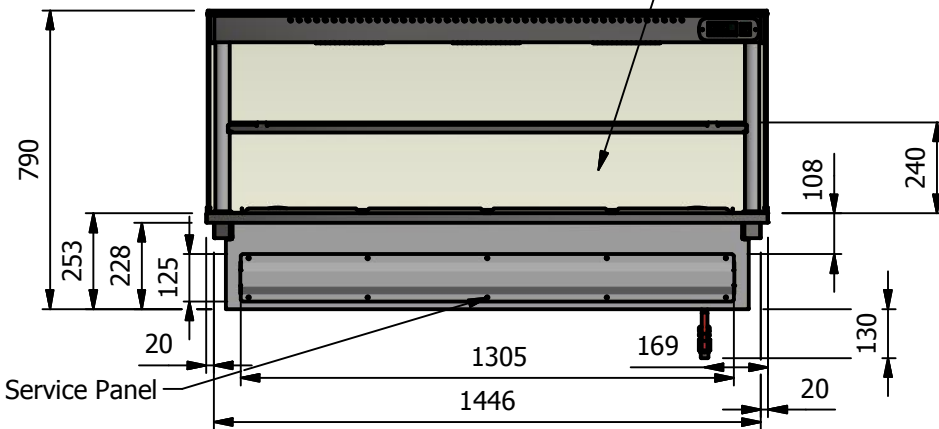
Wet Heat
Immersion heated Bainmarie Well

Dimensions
Width - 1486mm
Depth - 660mm
Height - 790mm
Weight - 76kg

Power Rating
4.66kw
complete with a 2m long cord set & 20amp plug

Materials
1.2mm 304 Grade St/ Steel Top, Supports & Well
0.7mm 430 Grade St/ Steel External Structure
0.7mm Galvanised Steel Undercarrage
6mm Tempered Glass
Quartz Lamps

Installation
Counter Top Flush Fit Cut Out Dimensions
1492mm x 666mm x 25mm
Counter Support Cut Out Dimensions
1468mm x 642mm



ALL SHEET METAL DIMENSIONS ARE I/S (INSIDE SIZES) (UNLESS OTHERWISE STATED)

ALL DIMENSIONS IN (mm), TOLERANCE = LINEAR ± 0.5mm, ANGULAR ± 0.5mm (OR AS STATED). ALL SHARP EDGES TO BE REMOVED FROM SHEET METAL PARTS

Product	DROP-IN RANGE			Product No	<p>No reproduction or publication of this drawing may be made, and no article may be manufactured or assembled in accordance with this drawing without prior written consent. This prohibition is a term of any contract relating to this drawing. Rights reserved under the Copyright Act 1956 as amended by the Design Copyright Act 1968.</p>									
Description	D4BMWD													
Material/Finish	Thickness		Desp/Date		<table border="1"> <tr> <td>Dwg No.</td> <td>DIP-022852</td> <td>Issue</td> </tr> <tr> <td>Drawn By</td> <td>ABB</td> <td>-</td> </tr> <tr> <td>Date</td> <td>16/01/2019</td> <td></td> </tr> </table>	Dwg No.	DIP-022852	Issue	Drawn By	ABB	-	Date	16/01/2019	
Dwg No.	DIP-022852	Issue												
Drawn By	ABB	-												
Date	16/01/2019													
Legacy P/N	Weight	76kg	Quote No.											
Client			SO Number	N/A										
Client Project			Approved By											
VERSIGEN AUSTRALIA PTY LTD, 182 HARTLEY ROAD, SMEATON GRANGE, NSW 2567, T: +61 (0)131 653 330, E: sales@versigen.com.au, Web: www.versigen.com.au					<table border="1"> <tr> <td>Scale</td> <td>1:20</td> <td>Sheet</td> <td>1 / 2</td> <td>A4</td> </tr> </table>	Scale	1:20	Sheet	1 / 2	A4				
Scale	1:20	Sheet	1 / 2	A4										