

Versigen Specification

Dry Heat
Fan Assisted Bainmarie Well

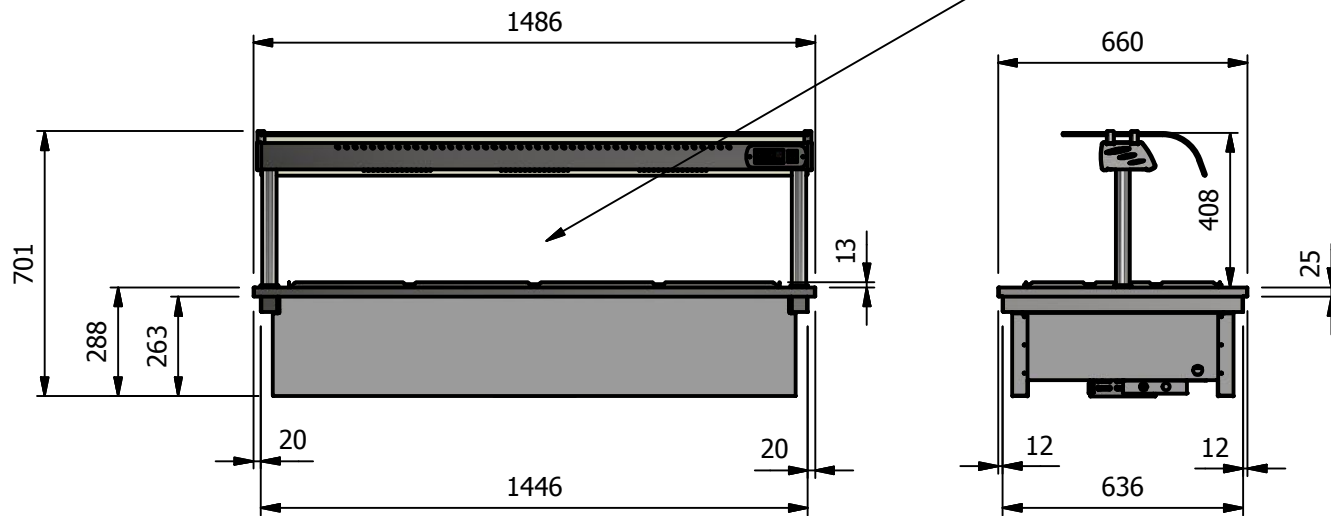
Dimensions
Width - 1486mm
Depth - 660mm
Height - 701mm
Weight - 47kg

Power Rating
2.16kw
complete with a 2m long cord set & 10amp plug
Removable Fan heating System Sahara Fan Model SF309

Materials
1.2mm 304 Grade St/ Steel Top & Supports
0.7mm 430 Grade St/ Steel Internal Structure
0.7mm Galvanised Steel Undercarrage
6mm Tempered Glass
Quartz Lamps

Installation
Counter Top Flush Fit Cut Out Dimensions
1492mm x 666mm x 25mm
Counter Support Cut Out Dimensions
1468mm x 642mm

Sahara Fan Model SF315



ALL SHEET METAL DIMENSIONS ARE I/S (INSIDE SIZES) (UNLESS OTHERWISE STATED)

ALL DIMENSIONS IN (mm), TOLERANCE = LINEAR ± 0.5mm, ANGULAR ± 0.5mm (OR AS STATED). ALL SHARP EDGES TO BE REMOVED FROM SHEET METAL PARTS

Product	DROP-IN RANGE			Product No	 FOODSERVICE EQUIPMENT			
Description	D4BM							
Material/Finish	Thickness		Desp/Date					
Legacy P/N	Weight	47kg	Quote No.					
Client			SO Number	N/A	Dwg No.	DIP-020684	Issue	
Client Project			Approved By		Drawn By	ABB		
VERSIGEN AUSTRALIA PTY LTD, 182 HARTLEY ROAD, SMEATON GRANGE, NSW 2567, T: +61 (0)131 653 330, E: sales@versigen.com.au, Web: www.versigen.com.au					Date	16/01/2019		
					Scale	1:20	Sheet	1 / 2

No reproduction or publication of this drawing may be made, and no article may be manufactured or assembled in accordance with this drawing without prior written consent. This prohibition is a term of any contract relating to this drawing. Rights reserved under the Copyright Act 1956 as amended by the Design Copyright Act 1968.