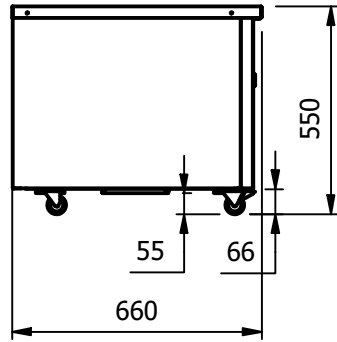


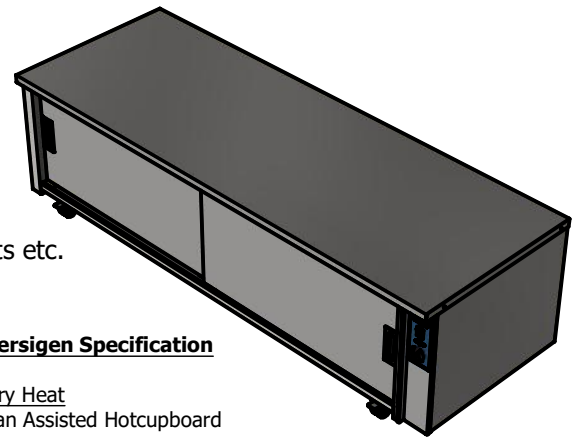
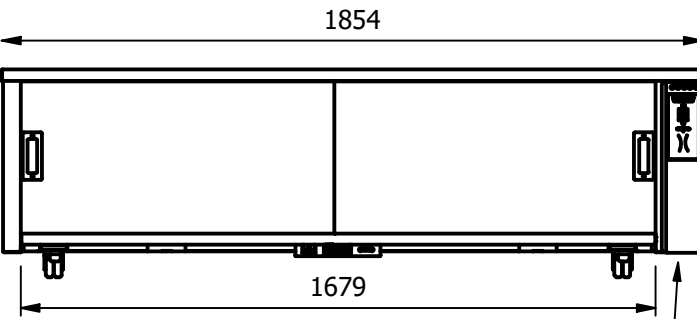
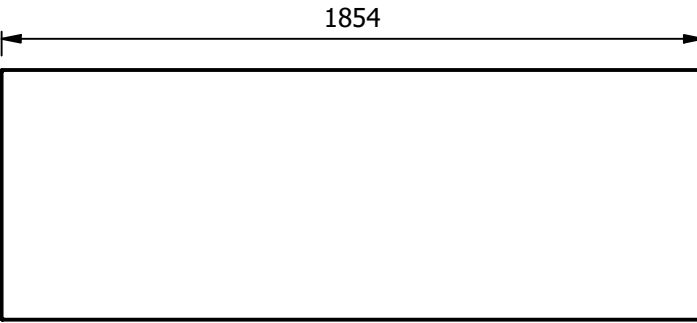
Typical Counter Installation  
HCRU5 with Size 5 Drop In unit



Important Design Parameters  
Allow a minimum air space of 15mm all round for easy slide in under counter.

Warning  
Ideally the electrical socket fitted in the counter would be recessed  
Be aware allowances must be made for any protruding power outlets etc.

Also suitable for a counter set at 850mm high



**Versigen Specification**

- Dry Heat  
Fan Assisted Hotcupboard

- Dimensions  
Width - 1854mm  
Depth - 660mm  
Height - 550mm  
Weight - 81kg

- Capacity [usable inside space]  
Width - 1679mm  
Depth - 545mm  
Height - 306mm

- Power Rating  
1.9kw  
complete with a 2m long cord set & 10amp plug  
Removable Fan heating System Sahara Fan Model SF319

- Materials  
1.2mm 304 Grade St/ Steel Top & Supports  
0.7mm 430 Grade St/ Steel Internal Structure  
GN 1/1 Grid Shelves with 30mm x 30mm tube supports

- Installation  
RollUnder  
All swivel castors, two braked

Minimum Under Counter Void Space

- Dimensions  
Width - 1884mm  
Depth - 675mm  
Height - 565mm



Sahara Fan Model SF319

ALL SHEET METAL DIMENSIONS ARE I/S (INSIDE SIZES) (UNLESS OTHERWISE STATED) ALL DIMENSIONS IN (mm), TOLERANCE = LINEAR ± 0.5mm, ANGULAR ± 0.5mm (OR AS STATED). ALL SHARP EDGES TO BE REMOVED FROM SHEET METAL PARTS

Product	ROLL UNDER HOTCUPBOARD			Product No	N/A		
Description	HC5RU			<small>No reproduction or publication of this drawing may be made, and no article may be manufactured or assembled in accordance with this drawing without prior written consent. This prohibition is a term of any contract relating to this drawing. Rights reserved under the Copyright Act 1956 as amended by the Design Copyright Act 1968.</small>			
Material/Finish	Thickness		Desp/Date				
Legacy P/N	Weight	81kg	Quote No.	Dwg No.	CTRP-079059	Issue	
Client			SO Number	STD	Drawn By	ABB	
Client Project			Approved By		Date	15/08/2019	