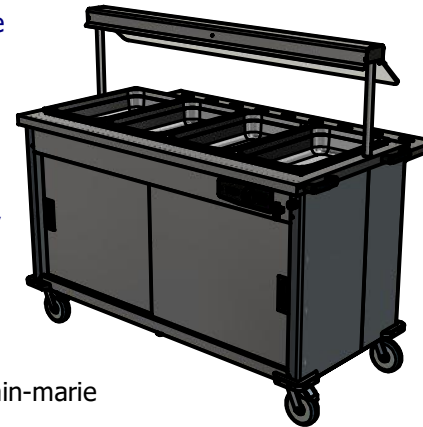


4FBM model includes the following options:
 - Push/pull handles
 - Corner Bumpers

4FBMD model includes the additional options:
 - Quartz Heated Gantry with Perspex Sneeze Guard
 - Drop-down Tray Slide



Specification

- Bainmarie well
 Dry heat
 Open top with raised lip is designed to hold Gastronorm pans and heats via the residual hot air from the hot cupboard to maintain temperature which gives energy saving efficiency.

- Dry Heat
 Fan Assisted Hotcupboard

Dimensions

Length - 1412mm (1474mm with corner bumpers and push handles)
 Depth - 665mm (679mm with bumpers, 715mm with folded tray rail)
 Height - 900mm
 Weight - 73kg

Capacity of Bainmarie

Four GN1/1 pans up to 150mm deep
 [Note:-pans are not supplied, available at extra cost]

Capacity of Hot Cupboard [usable inside space]

length - 1309mm
 Depth - 538mm
 Usable Height Bottom shelf - 204mm
 Usable Height Top Shelf - 265mm

54 covers & meals [10" plated meals stacked using plate covers]
 or
 162 off 10" plates stacked for heating
 or
 8 off 1/1GN pans side by side 150mm deep 4 on top 4 on bottom

Power Rating

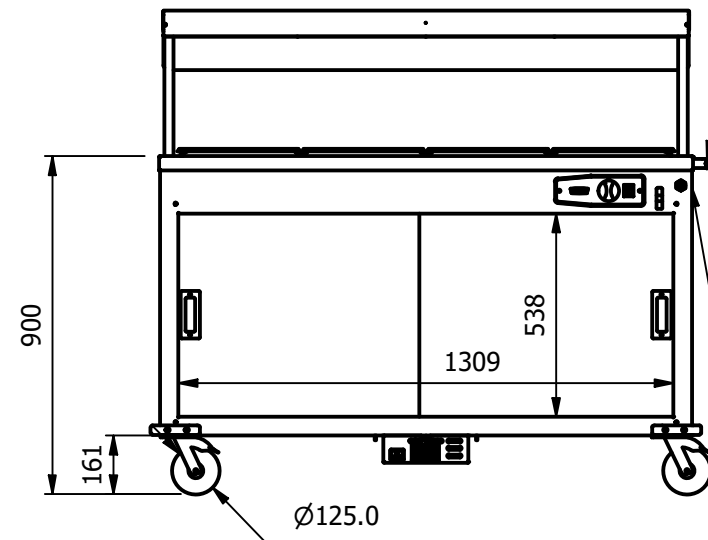
1.9kw with no gantry, 2.34Kw with heated gantry.
 complete with a 2m long cord set & 10 or 15 amp plug
 Removable Fan heating System Sahara Fan Model SF319

Materials

1.2mm 304 Grade St/ Steel Top & Supports
 0.7mm 430 Grade St/ Steel Internal Structure
 GN 1/1 Grid Shelves with 30mm x 30mm tube supports

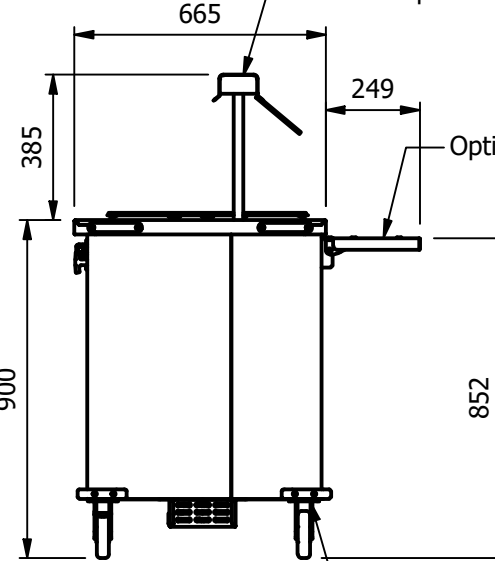
Installation

All swivel castors, two braked



Optional push pull handles

Optional Quartz heated gantry with Perspex sneeze guard



Optional Tray Slide

POWER CABLE ENTRY POINT

Optional corner bumpers

ALL SHEET METAL DIMENSIONS ARE I/S (INSIDE SIZES) (UNLESS OTHERWISE STATED)

ALL DIMENSIONS IN (mm), TOLERANCE = LINEAR ± 0.5mm, ANGULAR ± 0.5mm (OR AS STATED). ALL SHARP EDGES TO BE REMOVED FROM SHEET METAL PARTS

Product	FOCUS		Product No					
Description	*** 4FBM/4FBMD ***							
Material/Finish	Thickness		Desp/Date	Dwg No.	UMP-085126-1	Issue		
Legacy P/N	Weight	73kg	Quote No.					
Client			SO Number	STANDARD	Drawn By	N.Raymen		
Client Project			Approved By		Date	19/01/2021		
VERSIGEN AUSTRALIA PTY LTD, 182 HARTLEY ROAD, SMEATON GRANGE, NSW 2567, T: +61 (0)131 653 330, E: sales@versigen.com.au, Web: www.versigen.com.au				Scale	1 : 20	Sheet	1 / 2	A4

No reproduction or publication of this drawing may be made, and no article may be manufactured or assembled in accordance with this drawing without prior written consent. This prohibition is a term of any contract relating to this drawing. Rights reserved under the Copyright Act 1956 as amended by the Design Copyright Act 1968.